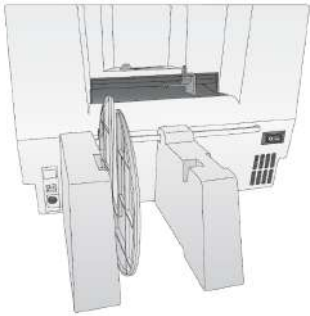


# ICOLOR 250

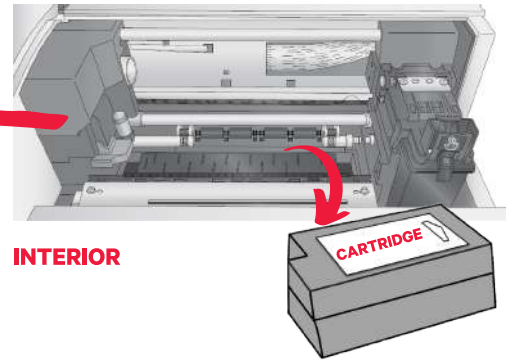
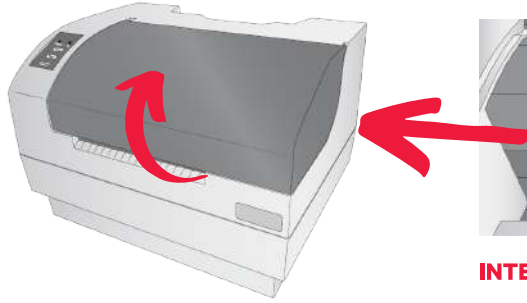
Digital Desktop Color Label Printer + Die Cutter

# Quick Start Guide

For detailed instructions please refer to the UNINET IColor 250 Printer User Manual. Download Quick Start Guide, User Manual and video at [icolorprint.com/support](http://icolorprint.com/support)

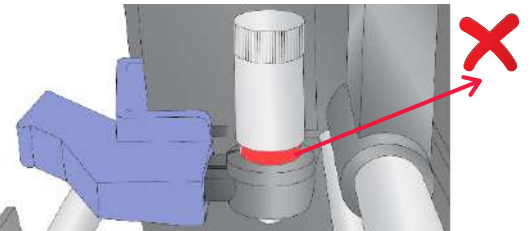
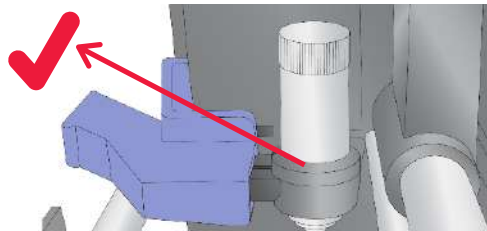
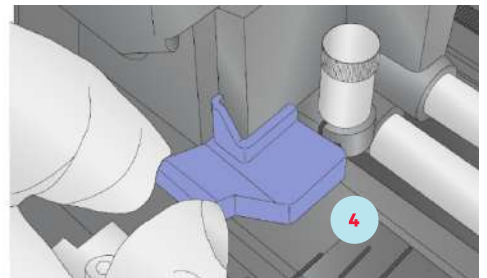
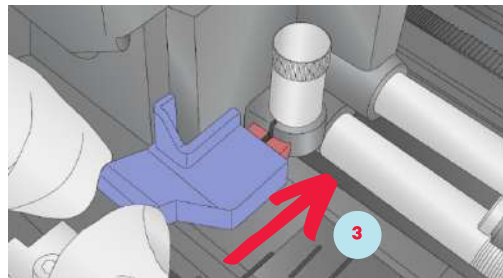
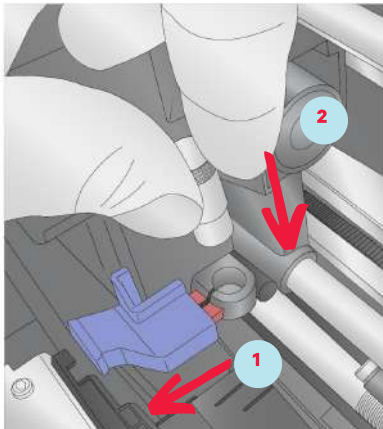


PRINTER'S BACK

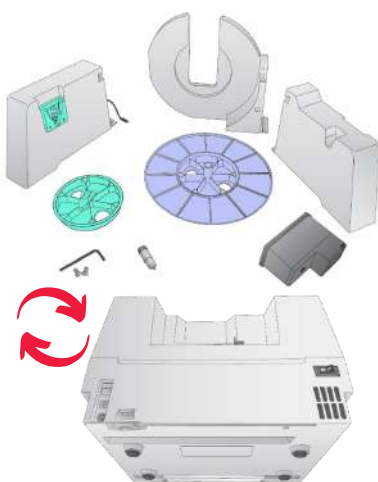


INTERIOR

## DIGITAL DIE CUTTING KNIFE INSTALLATION



Run Software Installer Before Connecting USB



PRINTER PARTS

